

VFF Tank Bottom Butterfly Valve



Tank bottom butterfly valve in stainless steel is designed to meet sanitary processing system requirements, acting as ON/OFF valve and available in manual or pneumatic operated versions. Composed of one head, a welding plate and a shutter disk enclosed in a seal gasket. Thanks to their internal design and the wide bore, they guarantee a gentle treatment of the product flow, a minimization of turbulence, contamination and a low pressure drop. The seal gasket is conceived to be flush to the internal passage, avoiding product entrapment.



ADVANTAGES:

- ✓ Hygienic design
- ✓ Low pressure drop and minimization of turbulence
- ✓ Easy to automate pneumatically
- ✓ Wide range of applications
- ✓ Simple and fast maintenance
- ✓ Certified materials for Pharmaceutical use
- ✓ Full traceability

APPLICATION:

Designed for meeting the requirements of the plants in the Pharmaceutical, Food & Beverage, Cosmetics, Dairy, Fine Chemicals industries.

The hygienic design is completed by the heads assembled by means of hidden screws and the internal and external surface finishing.

Size range	From 1" up to 4"
End connections	Tri-Clamp or butt weld dimensionally according to ASME BPE
Stainless steel in contact parts Material	AISI 316L - 1.4404
Seal Material	SILICONE (standard) - EPDM ("till 2" included) - FKM
Internal surface finish	Ra ≤ 0.5µm
Working pressure rating	From 1" to 4" Vacuum ÷ 10 barg
Working temperature rating	0°C ÷ 150°C (Only for sterilization or short time)
Certifications	3.1 material certificates (in contact) according to UNI EN 10204 FDA USP Class VI ATEX other certificates on request

*For actuators and optional see page 3

For further details about codes and download of the drawings, visit our [CONFIGURATOR](#)

CONFIGURATOR



Last updates can be found on our website - www.aerreinox.it

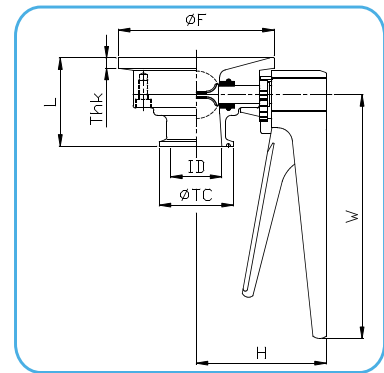
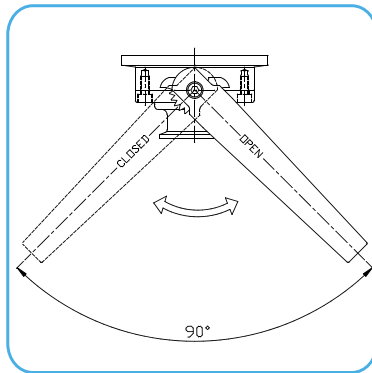
In the interests of development of the product, we reserve the right to change the specifications without prior notice

DATASHEETS





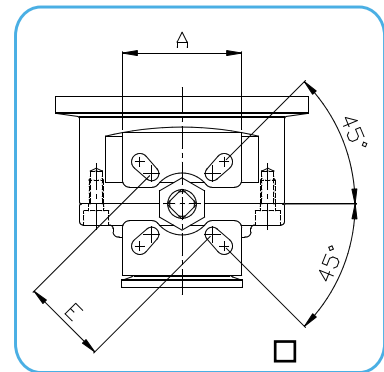
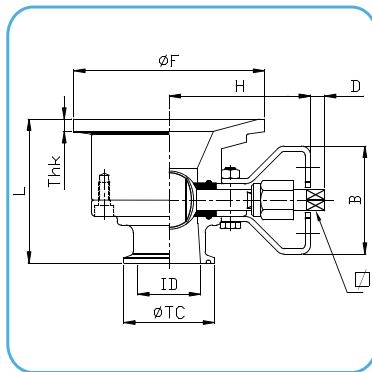
MANUAL HANDLE



CODE	Size inch	DN mm	$\varnothing TC$ mm	ID mm	$\varnothing F$ mm	L mm	Thk mm	H mm	W mm
VFF-100AJ- X MMP-1.1A	1"	25	50.5	22.1	100	57.5	7	86	166
VFF-150AM- X MMP-1.1A	1" 1/2	40	50.5	34.8	106	60	7	89	166
VFF-200AN- X MMP-1.1A	2"	50	64	47.5	124	60	7	98	166
VFF-250AO- X MMP-1.1A	2" 1/2	65	77.5	60.2	130	60	7	102	166
VFF-300AP- X MMP-1.1A	3"	80	91	72.9	145	60	7	109	166
VFF-400AR- X MMP-1.1A	4"	100	119	97.4	175	70	10	121	166

*Seal material code **X** = SILICONE code **V** = FKM code **E** = EPDM

MOUNTING PAD ISO 5211 FOR PNEUMATIC ACTUATOR



CODE	Size inch	DN mm	$\varnothing TC$ mm	ID mm	$\varnothing F$ mm	L mm	Thk mm	H mm	A mm	B mm	E mm	ISO mm	D mm	Nm	
VFF-100AJ- X W-1.1A	1"	25	50.5	22.1	100	77.5	7	75.5	50	60	36/50	F03/F05	9	7	21
VFF-150AM- X W-1.1A	1" 1/2	40	50.5	34.8	106	80	7	78.5	50	60	36/50	F03/F05	9	8	21
VFF-200AN- X W-1.1A	2"	50	64	47.5	124	85	7	99.5	60	72	42/50	F04/F05	14	13.5	21
VFF-250AO- X W-1.1A	2" 1/2	65	77.5	60.2	130	85	7	102.5	60	72	42/50	F04/F05	14	16	42
VFF-300AP- X W-1.1A	3"	80	91	72.9	145	85	7	110.5	60	72	42/50	F04/F05	14	14	42
VFF-400AR- X W-1.1A	4"	100	119	97.4	175	115	7	128	90	110	70	F07	17	12.5	161

*Seal material code **X** = SILICONE code **V** = FKM code **E** = EPDM

CONFIGURATOR



Last updates can be found on our website - www.aerreinox.it

In the interests of development of the product, we reserve the right to change the specifications without prior notice

DATASHEETS





**MANUAL
THERMOPLASTIC 12
POSITIONS**



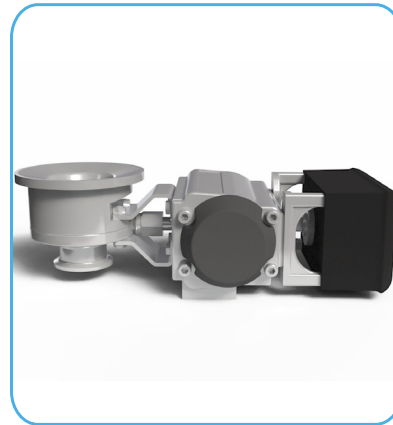
BARE SHAFT



WITH BRACKETS




**PNEUMATIC
ACTUATOR SIMPLE
OR DOUBLE EFFECT**



**PNEUMATIC
ACTUATOR +
SWITCH BOX**

OPTIONAL

- Pneumatic actuator stainless steel simple effect
- Pneumatic actuator stainless steel double effect
- Higher thickness welding plate
- Electropolishing
- Other Materials
- Connections according to other norms
- Customizable on request
- ATEX certification  II 2G Ex h IIB T6...T3 Gb X
II 2D Ex h IIIC T85°C...T165°C Db X

CONFIGURATOR



DATASHEETS



Last updates can be found on our website - www.aerreinox.it
In the interests of development of the product, we reserve the right to change the specifications without prior notice